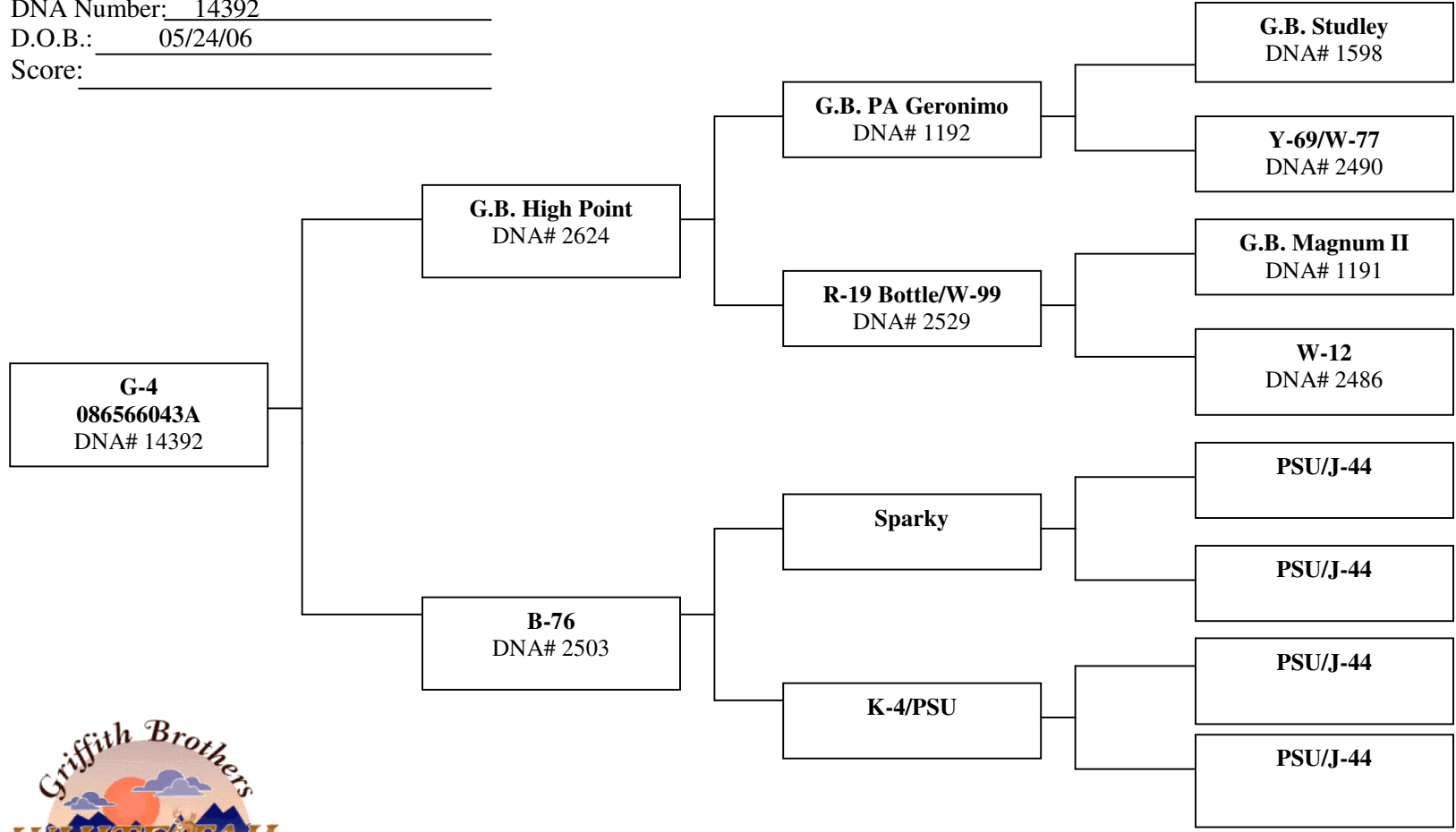


Name: G-4
Main ID Number: 086566043A
 Secondary ID Number: G-4
 DNA Number: 14392
 D.O.B.: 05/24/06
 Score: _____



Comments: _____
